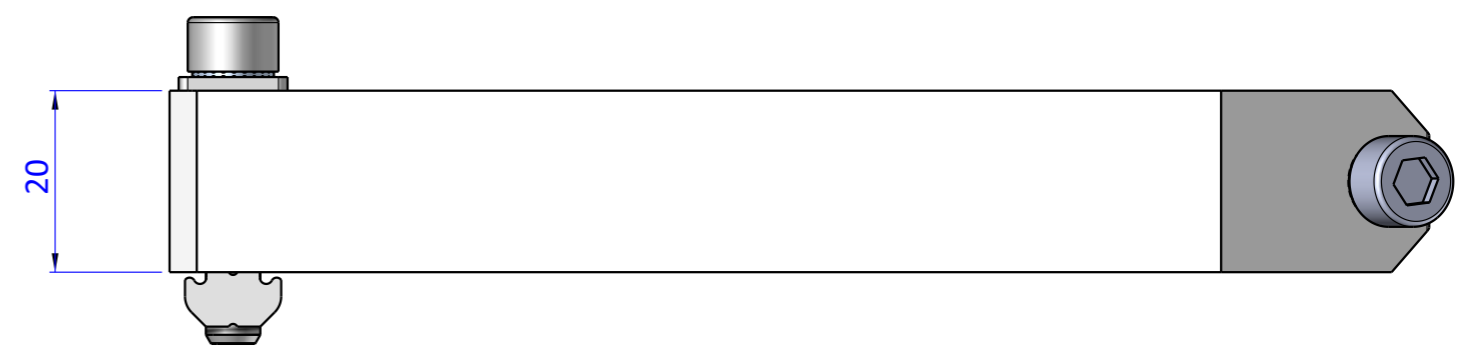
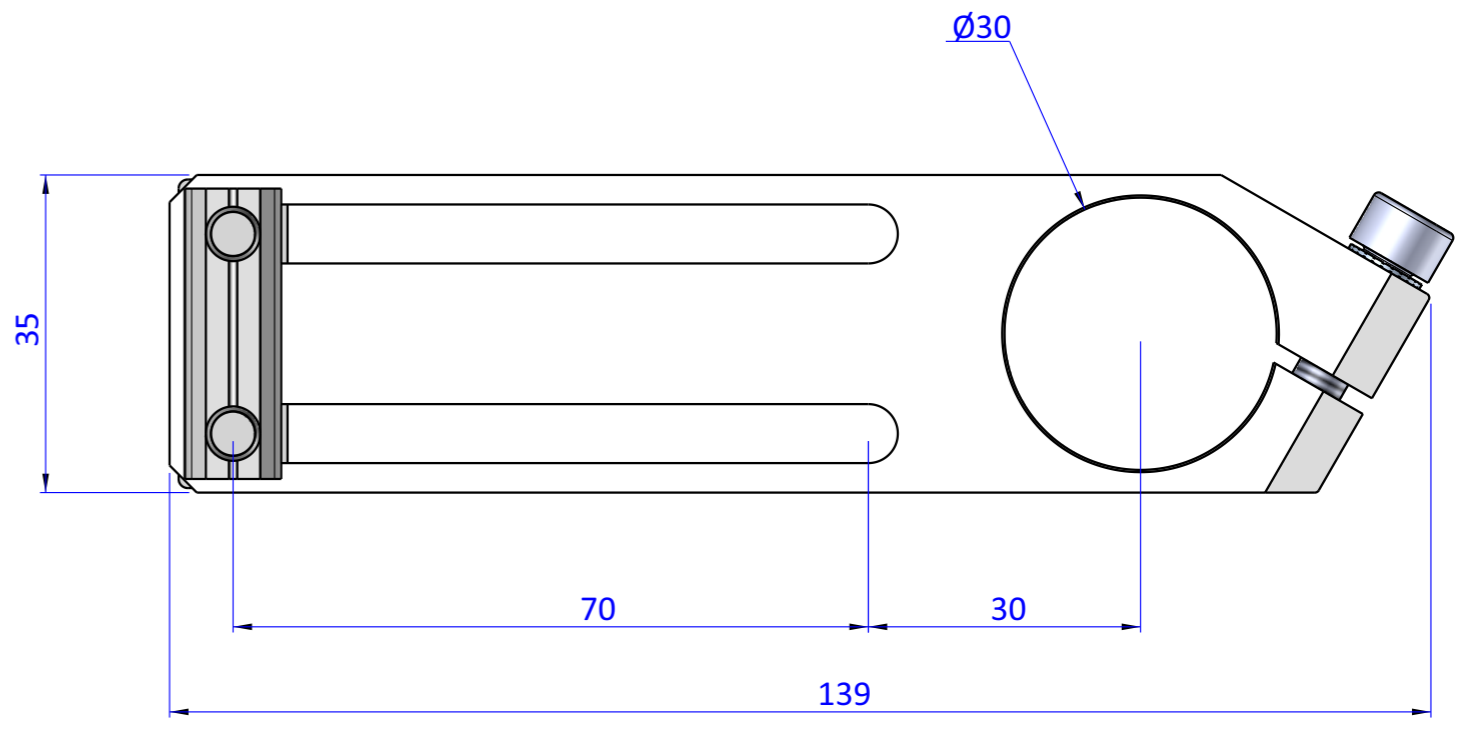
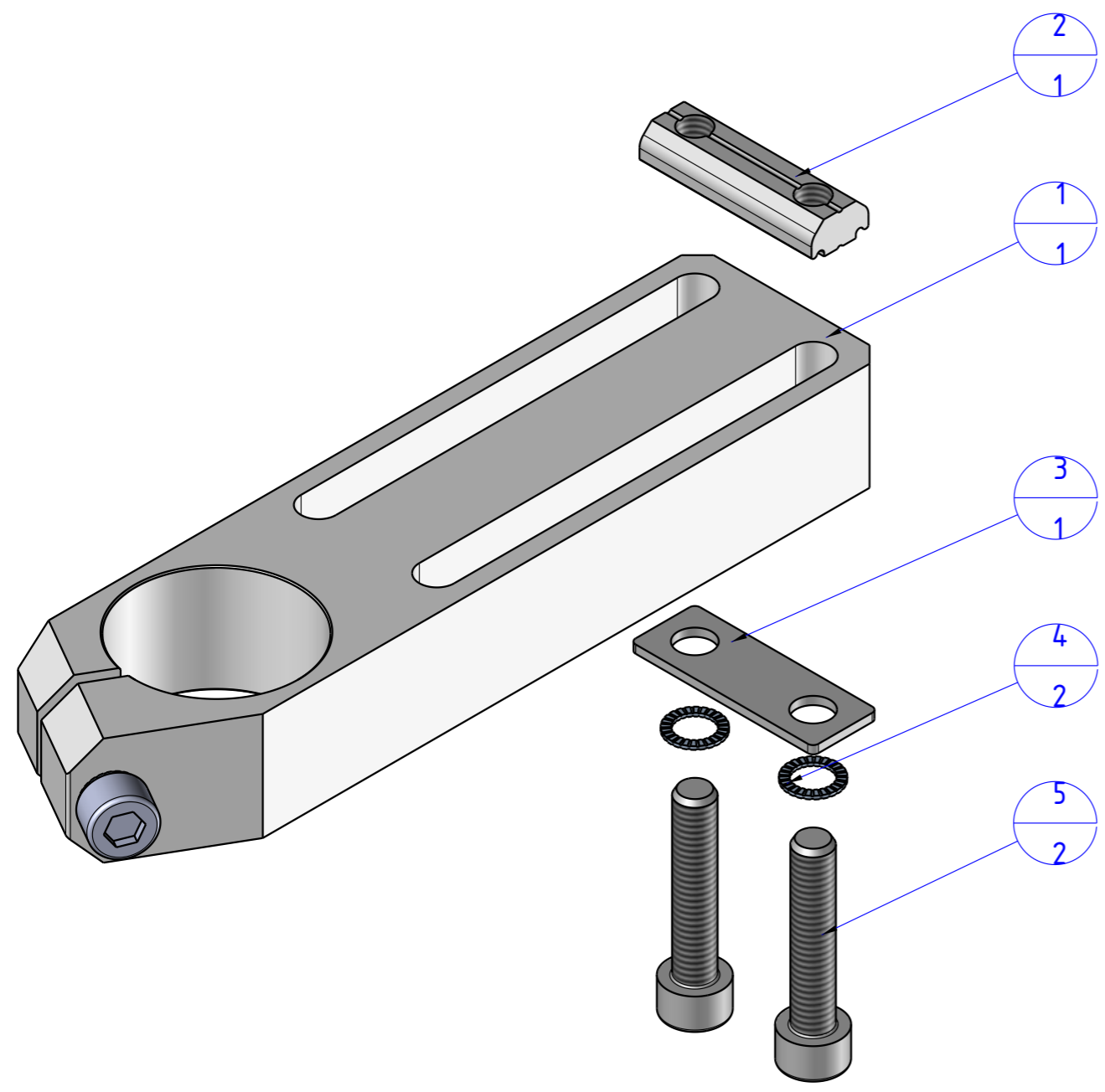

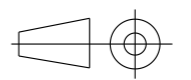


THE PROPERTY OF THE DRAWING IS ESTABLISHED BY LAW. IT IS FORBIDDEN TO PRODUCE OR SHOW IT TO THIRD PART. WITHOUT A WRITTEN AGREEMENT.

| Item | Name | Q.ty |
|------|----------------|------|
| 1 | CA.WSL.3070.VU | 1 |
| 2 | CA.GWP.6.22 | 1 |
| 3 | R.06.22 | 1 |
| 4 | R.6.SCH | 2 |
| 5 | V.TCE6x30 | 2 |



Format A3
UNI 936-76

| | | | | |
|--|--|---|--|---------------------------------|
|  FPS FPSERVICES AUTOMATION | |  | DESIGNED FROM FPS Automation | REVIEW A |
| GENERAL TOLERANCE UNI - ISO 2768 CLASSE f | DESCRIPTION CA.WSL.3070.VU.J | DATE 01/03/2021 | WEIGHT 0,197kg | CODE CA.WSL.3070.VU.J |